

WARRANTY

BMTKX – Microwave Oven Trim Kit

This product is covered by warranty in addition to all rights which are available to you under statute in respect of this kit. The warranty is for a period of 12 months from the date of purchase.

The warranty covers rectification free of charge of any fault by defective materials or workmanship, provided that the trim is returned to Blanco. Blanco reserves the right or replace components of the trim kit.

The warranty is subject to the following conditions:

1. The warranty is void if the product is dismantled, repaired, altered or serviced by any third party without the consent of Blanco.
2. The warranty is void if parts not manufactured or sold by Blanco are used in any replacement or repair.
3. The product must be used with due care and for the proper purpose for which it is sold and in accordance with the specified instructions for use.
4. The warranty does not extend to:
 - a. Where surface coating, stainless steel and enamel damage, to the product occurs
 - b. Damage caused by liquid or solid spill-overs, lack of maintenance, or impact.
 - c. Damage to surface caused by cleaning or maintenance using products not recommended by Blanco.
 - d. The replacement of parts when such replacements are part of a nominal maintenance, service or normal wear and tear.
 - e. Damage caused by improper installation.
 - f. The microwave oven and kitchen cabinetry
 - g. If the product suffers damage caused by continued use of the product after it is known to be defective.

If the product is found to be in working order, you will be required to bear all service charges.

Nothing herein shall be construed in any way as excluding or limiting your rights under the Trade Practices Act 1974 or corresponding state legislation.

REMEMBER TO RETAIN YOUR "PROOF OF PURCHASE" TO VALIDATE ALL WARRANTY CLAIMS.

Please complete the details below, which should be retained for future reference along with your proof of purchase:

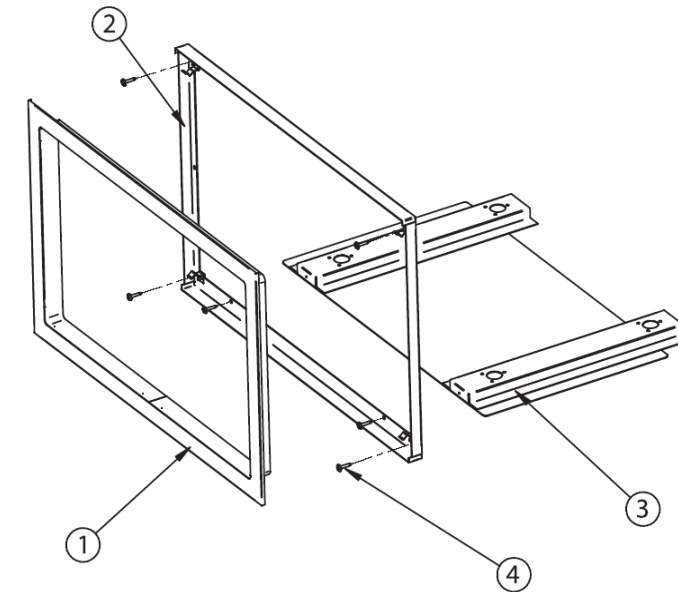
Date of Purchase:

Model No:

Serial No:

BLANCO

BLANCO MICROWAVE TRIM KIT BMTKX



1. Fascia Assembly
2. Mounting Frame Assembly
3. Base Assembly
4. 6 of 6 Gauge Screws

CAUTION

Read and follow all of the instruction completely.

1. The Blanco Trim Kit must be installed in accordance with the full set of instructions listed and meet the regulations laid down by electrical authorities, building regulations and the requirements of state and local government authorities.
2. The microwave oven must be unplugged before installation of the Blanco Trim Kit.
3. For safe use of the microwave oven, DO NOT modify or alter any part of this trim kit.
4. The kitchen cabinetry that houses the microwave oven must be constructed to allow the microwave oven to operate to Australian Standards 3350.1-2002, 60335.1, 3350.2.25-2001 and 60335.2.5.

CLEANING TIPS

Use a domestic stainless steel cleaner, applied to a soft cloth. Wipe in the direction of the stainless steel grain. DO NOT use abrasive, harsh cleaners or scouring pads.

TRIM KIT SPECIFICATIONS

Overall Kit Dimensions:

Width: 596mm
Height: 380mm
Depth: 22mm (fascia)

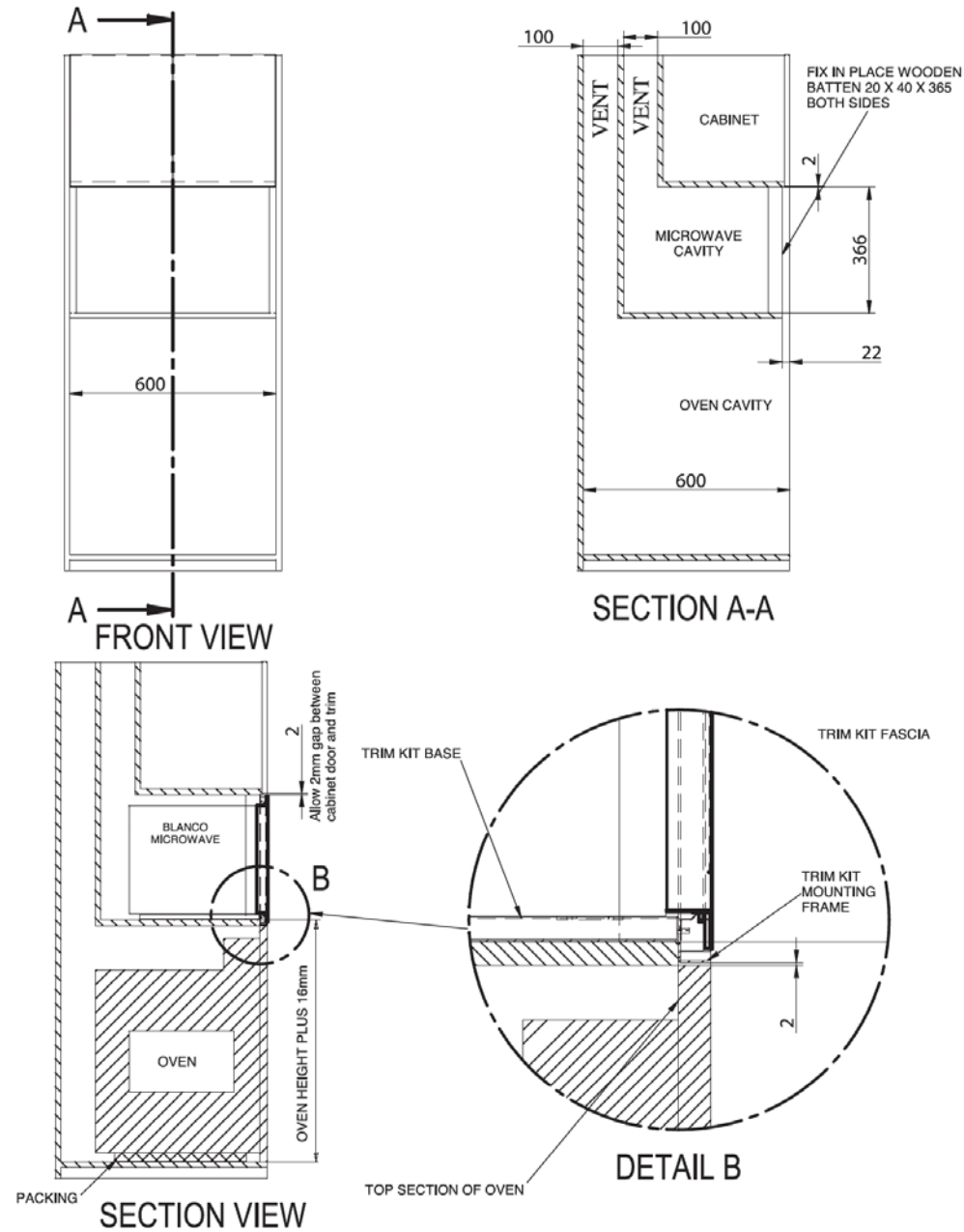
Cavity Dimensions:

Internal Width: 600mm
External Front Height: 381mm
Depth: 500mm (min.)

Cabinetry Ventilation:

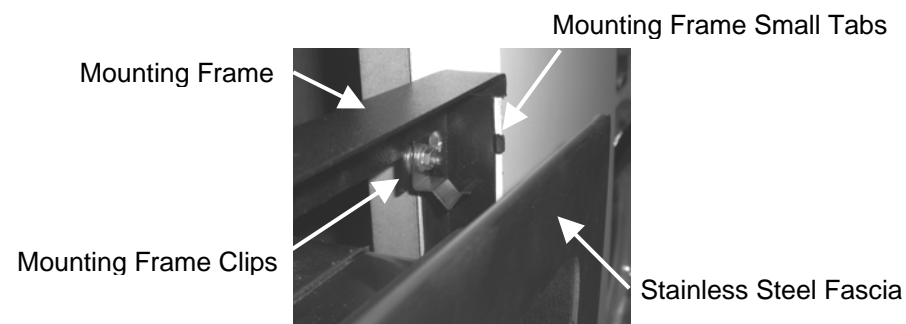
An opening on the upper cavity panel must be cut for air circulation. This opening should be placed at the rear – minimum 600 x 100mm.

CABINET SPECIFICATIONS



Warning:

The information in this manual is indicative only. Technical specifications and product sizes can be varied by the manufacturer without notice. Always use physical measurements.



INSTALLATION INSTRUCTIONS



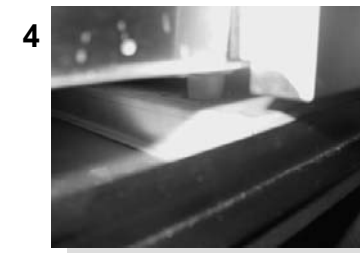
1 Place the Base Assembly into the microwave oven cavity.



2 Insert the Mounting Frame into position and screw into place using four 6g screws provided. There are four screw holes in each corner of the frame, located next to the clips.



3 Align the Base Assembly and the Mounting Frame and screw together using two 6g screws provided.

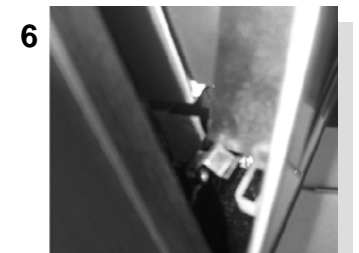


4 Plug the microwave oven into an approved 240-volt, 10-amp power point. DO NOT turn on until after the installation is complete. Carefully insert the microwave oven into the Base Assembly. Ensure the microwave oven feet sit within the base assembly feet locators



5 Remove plastic protective coating from Stainless Steel fascia. To fit the Stainless Steel fascia correctly, it is necessary to follow these instructions correctly.

When fitted correctly, the Stainless Steel fascia will sit outside of four small tabs on the Mounting Frame (see image above). The purpose of these tabs is to hold the Stainless Steel fascia centrally on the fixed frame.



6 Starting at the lower right hand corner, align and sit the Stainless Steel fascia onto the Mounting Frame clip. At the same time, ensure the edge of the Stainless Steel frame is located on the outside of the small tab.

When this corner is in place, do the same for the lower left hand corner, again ensuring the Stainless Steel fascia is located outside the small tab.



7 When both lower corners are in place and secure, do the same for the top left and right hand corners in the same way.

Clean with a mild stainless steel cleaner. (See care and cleaning)

Note:

The Base Assembly is adjustable. If the microwave oven is not sitting flush with the trim fascia there are two screws located on the bottom side of the base at the rear for adjustment purposes.